

The KnoxVault 4400 Combination Lock is high-security key vault designed for government and industrial use. The KnoxVault incorporates the strength of a heavy-duty design with the security benefits of a Sargent & Greenleaf Group I Combination Lock. It is excellent for interior applications where high security of keys or other equipment is essential for rapid emergency access.



Surface Mount with Optional Tamper Switch

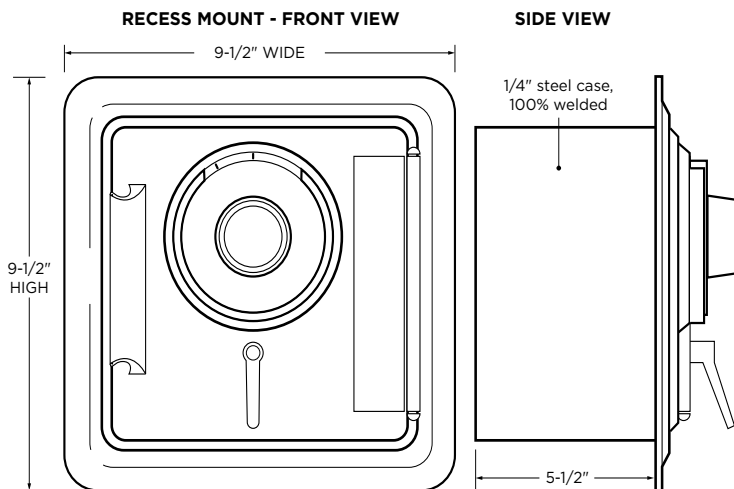
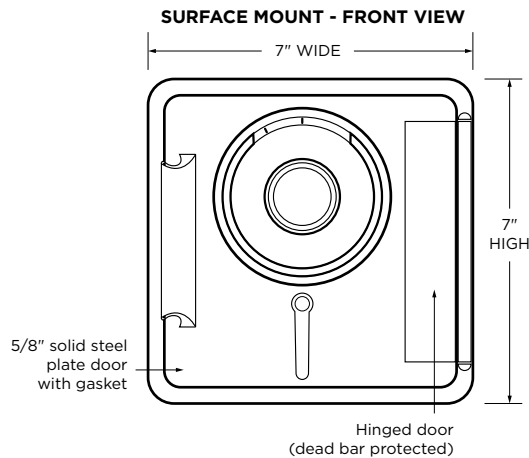
Recessed Mount with Face Flange

WEIGHT:

Surface Mount - 28 lbs
Recessed Mount - 29 lbs

DIMENSIONS:

Surface Mount Body - 7"H x 7"W x 5"D
Recessed Mount Flange - 9 1/2"H x 9 1/2"W



FEATURES

- ✓ Large capacity, storing up to a 50 keys. Access cards, entry items, emergency planning documents, and Knox FDC Wrench may also fit in interior compartment but will reduce max key quantity.
- ✓ Built Knox-Rugged and secure: UL 1037, UL 1610, UL 1332, UL 437
- ✓ UL listed Sargent and Greenleaf Group I combination lock ensures high security
- ✓ Finished with Knox-Coat® to protect four times better than standard powder coat
- ✓ Extreme weather-resistant door gasket

BENEFITS

- ✓ Allows rapid property access
- ✓ Reduces property damage
- ✓ Prevents forced entry into buildings
- ✓ Minimizes first responder injury
- ✓ Compliant to National Fire Code (NFPA, IFC, IBC)

OPTIONS

- ✓ Knox Tamper Alert connects to building's alarm system for extra security
- ✓ Mount types: Recessed and Surface
- ✓ Color options: Black

ACCESSORIES

- ✓ Multi-Purpose Switch for use on electrical doors, gates and other electrical equipment
- ✓ Recess Mounting Kit for new concrete or masonry construction
- ✓ Public Safety Labels
- ✓ Tag-Out Tamper Seals
- ✓ Key Tags
- ✓ Key Rings

ORDERING SPECIFICATIONS

To insure procurement and delivery of the KnoxVault 4400, it is suggested that following specification paragraph is used:

KnoxVault surface/recessed mount with/without UL Listed Knox Tamper Alert. 1/4" plate steel housing, 5/8" thick steel door with interior gasket seal. Vault & lock UL Listed. Vault has anti-theft re-locking mechanism with drill resistant hard-plate lock protector.

Exterior Dimensions: Surface Mount - 7"H x 7"W x 5"D
Recessed Mount Flange - 9 1/2"H x 9 1/2"W

Lock: UL Listed. Group I combination lock.

Finish: Knox-Coat® proprietary finishing process

Color: Black

P/N: KnoxVault 4420 (Surface Mount),
KnoxVault 4450 (Recessed Mount)

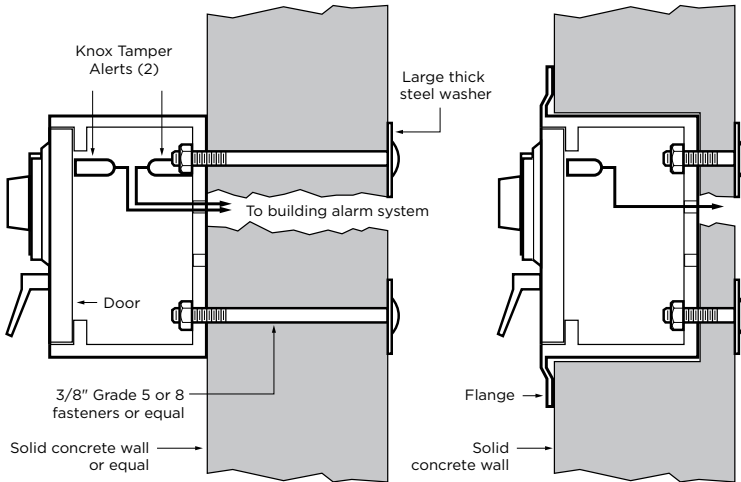
Mfr's Name: KNOX COMPANY



GENERAL MOUNTING INSTRUCTIONS

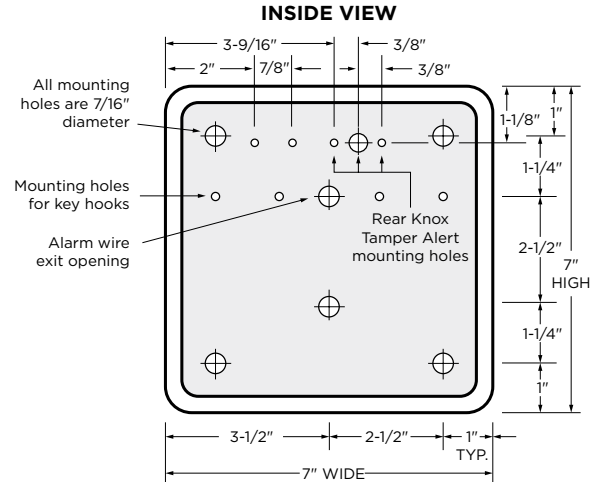
Suggested minimum mounting height, 6 feet above ground.

ATTENTION: KnoxVault is a very strong device that **MUST** be mounted properly to ensure maximum security and resist physical attack.



KnoxVault 4420 Surface Mount

KnoxVault 4450 Recessed Mount



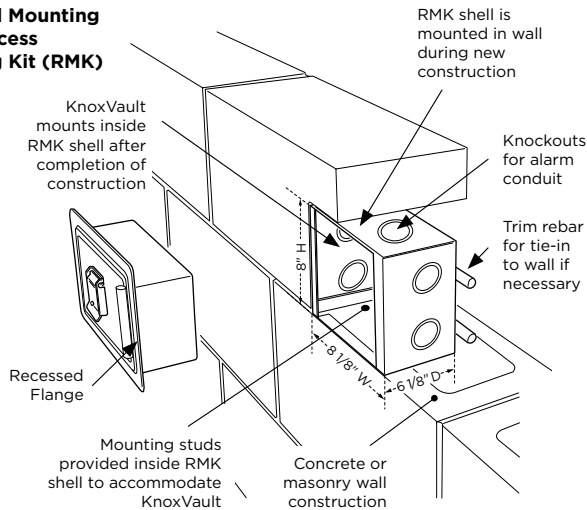
RECESS MOUNTING KIT AND INSTALLATION INSTRUCTIONS

The Recess Mounting Kit (RMK) includes shell housing and mounting hardware, which may only be used for recessed models to cast-in-place within new concrete or masonry construction. The KnoxVault is mounted into the shell housing after construction is completed.

RECESS MOUNTING KIT DIMENSIONS

Rough-in Dimensions:
8-1/2"H x 8-1/2"W x 7"D

Recess Mounting Using Recess Mounting Kit (RMK)



IMPORTANT:

Care should be taken to ensure the front of the Recess Mounting Kit (RMK) shell housing, including the cover plate and screw heads, is flush with the wall. The RMK must be plumbed to ensure vertical alignment of the vault.

ABOUT KNOX COMPANY

Over forty years ago, a unique concept in rapid access for emergency response was born. The KnoxBox®, a high-security key lock box, was designed to provide rapid access for emergency responders to reduce response times, minimize injuries and protect property from forced entry.

Today, one revolutionary lock box has grown into a complete system providing rapid access for public safety agencies, industries, military, and property owners across the world. The Knox Company is trusted by over 14,000 fire departments, law enforcement agencies, and governmental entities.

KNOX COMPANY
1601 W. DEER VALLEY RD
PHOENIX, AZ 85027

T. 800.552.5669

F. 623.687.2290

KNOXBOX.COM
INFO@KNOXBOX.COM