



KNOX MEDVAULT®

Reduce drug diversion risks and increase controlled substance accountability with secure storage and access limited to only authorized first responders.



The MedVault and the MedVault Mini are available in surface and recessed mounting configurations

BENEFITS

- ✓ Controls access through use of authorized PIN codes
- ✓ Data gathering is streamlined for regulatory and licensing compliance reporting
- ✓ System updates and transaction records are automatically processed to reduce administrative needs

FEATURES

- Dual Authentication Enabled
- Secure PIN-Controlled Access
- Available with Manual or eKey override
- Holds up to 5,000 unique PIN codes
- Records and stores up to 16,000 events
- WiFi or Ethernet-Enabled
- LED Display
- Review user access records via KnoxConnect
- Automatically connects to network for upload of transaction history and PINs

KNOXCONNECT®

Cloud-based administrative software is the central hub to run reports and sync, configure and manage electronic devices, users and data.



KnoxConnect



WIFI or ETHERNET

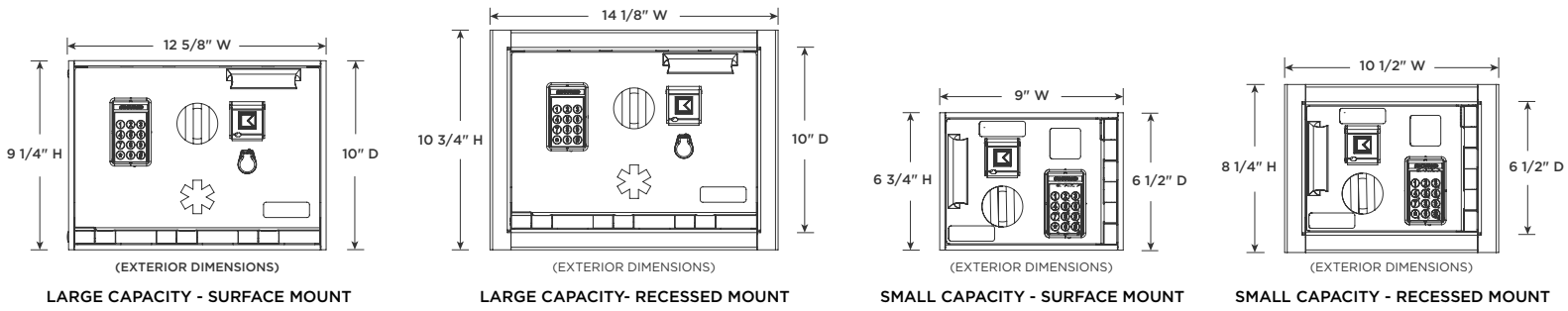


Knox MedVaults

TO LEARN MORE:

CALL: **800.704.0889** OR VISIT: **KNOXBOX.COM/MEDVAULT**

MEDVAULT SPECIFICATIONS



MEDVAULT ELECTRONIC SPECIFICATION	
Communication Standards	802.3u Ethernet, 802.11 b/g/n (2.4 GHz)
Security/Encryption	WPA-PSK WPA2-PSK WPA+WPA2 EAP-PEAPv0 w/MsCHAP EAP-PEAP-TLS EAP-TLS
RP-SMA Connector	Connect a Wi-Fi Antenna for wireless network
RJ-45 Dongle	Connect a Cat5e Ethernet cable for wired networking
POWER SPECIFICATIONS	
Power Supply Input Range	11.5 - 16.0 volts @ 3 amps
Current Drain (Standby)	120 Milliamps
Current Drain (Door Open)	3 Amps

MEDVAULT MECHANICAL SPECIFICATIONS	
Weight	22 lb for large 12 lb for mini
Finish	Powder coat
Override options	Mechanical or eKey
MedVault 2 Interior Capacity	H: 8 3/4"; W: 11.25" and D: 6 5/8"
MedVault Mini Interior Capacity	H: 6 1/4"; W: 8.5" and D: 3 1/8"
ENVIRONMENTAL SPECIFICATIONS	
Operating Temp	-20° C to +65°C (-4° F to 149°F)
Storage Temp	-40° C to +90°C (-40° F to 194°F)
Operating Humidity	95% RH @25° C 76 Hours
REGULATORY SPECIFICATIONS	
FCC	Parts 15B and 15C
UL	UL437 (Lock core)

MODEL NUMBERS

Description	eKey Override Model #	Size	Antenna Location
MedVault® Standard Door Recessed Mount	KLS-5230R3K	Mini	Back
MedVault® Standard Door Recessed Mount	KLS-5230R3R	Mini	Right
MedVault® Standard Door Surface Mount	KLS-5230S3K	Mini	Back
MedVault® Standard Door Surface Mount	KLS-5230S3R	Mini	Right
MedVault® Standard Door Recessed Mount	KLS-5530H3RK	Large	Back
MedVault® Standard Door Recessed Mount	KLS-5530H3RR	Large	Right
MedVault® Standard Door Recessed Mount	KLS-5530H3RT	Large	Top
MedVault® Standard Door Surface Mount	KLS-5530H3SK	Large	Back
MedVault® Standard Door Surface Mount	KLS-5530H3SR	Large	Right
MedVault® Standard Door Surface Mount	KLS-5530H3ST	Large	Top
MedVault® Face Up Door Recessed Mount	KLS-5530V3RK	Large	Back
MedVault® Face Up Door Recessed Mount	KLS-5530V3RR	Large	Right
MedVault® Face Up Door Recessed Mount	KLS-5530V3RT	Large	Top
MedVault® Face Up Door Surface Mount	KLS-5530V3SK	Large	Back
MedVault® Face Up Door Surface Mount	KLS-5530V3SR	Large	Right
MedVault® Face Up Door Surface Mount	KLS-5530V3ST	Large	Top

Description	Standard Override Model #	Size	Antenna Location
MedVault® Standard Door Recessed Mount	5230R3K	Mini	Back
MedVault® Standard Door Recessed Mount	5230R3R	Mini	Right
MedVault® Standard Door Surface Mount	5230S3K	Mini	Back
MedVault® Standard Door Surface Mount	5230S3R	Mini	Right
MedVault® Standard Door Recessed Mount	5530H3RK	Large	Back
MedVault® Standard Door Recessed Mount	5530H3RR	Large	Right
MedVault® Standard Door Recessed Mount	5530H3RT	Large	Top
MedVault® Standard Door Surface Mount	5530H3SK	Large	Back
MedVault® Standard Door Surface Mount	5530H3SR	Large	Right
MedVault® Standard Door Surface Mount	5530H3ST	Large	Top
MedVault® Face Up Door Recessed Mount	5530V3RK	Large	Back
MedVault® Face Up Door Recessed Mount	5530V3RR	Large	Right
MedVault® Face Up Door Recessed Mount	5530V3RT	Large	Top
MedVault® Face Up Door Surface Mount	5530V3SK	Large	Back
MedVault® Face Up Door Surface Mount	5530V3SR	Large	Right
MedVault® Face Up Door Surface Mount	5530V3ST	Large	Top
MedVault® Power Pack Temp. Backup Power Supply	9101		

ABOUT THE KNOX COMPANY

Since 1975, the Knox Company has successfully developed innovative rapid access solutions for first responders with products that provide fast, safe, and secure entry into commercial, industrial, and residential properties, while minimizing damage and maximizing safety. Today, more than 15,000 fire, EMS, and law enforcement departments/agencies depend on Knox products to gain access into over one million buildings/properties.



KNOX COMPANY
 1601 W. DEER VALLEY RD
 PHOENIX, AZ 85027
 T. 800.566.9269
KNOXBOX.COM
 INFO@KNOXBOX.COM