

Knox Rapid Access System security is enhanced with the KeySecure 5, the latest master key retention that is heightened with new security and support capabilities. The KeySecure 5 device leverages Knox technology to provide secure, rapid access when seconds matter.

The Knox Master Key(s) is secured in a visible position providing immediate accountability and access. It holds up to two keys for shared system support. The KeySecure 5 maintains a history of unit activity including when and who released the key. With KeySecure 5, all administrative functions may be performed remotely or from a central office using KnoxConnect® Management System. Admins communicate with KeySecure 5 using either WiFi or Ethernet connectivity or directly to a PC via the USB port to pull audit trails and update KeySecure device.



PRODUCT SPECIFICATIONS

Operating Temperature: -20° to +60° C

Storage Temperature: -40° to +80° C

Power: Vehicle 7-amp 12-volt DC power supply or AC adapter 7-amp 12-volt

Initial Power Stabilization Time: Up to 5 seconds

Construction: Die-casted zinc

Product Weight: 7.6 lbs.

Product Dimension: 6.0"H x 4-1/4"W x 3-1/2 D

Product with WiFi Antenna: WiFi antenna extends an additional 1-1/2" from side of unit and adds up to 4-1/4" above the unit when oriented upwards

Finish: Powder coating

FEATURES

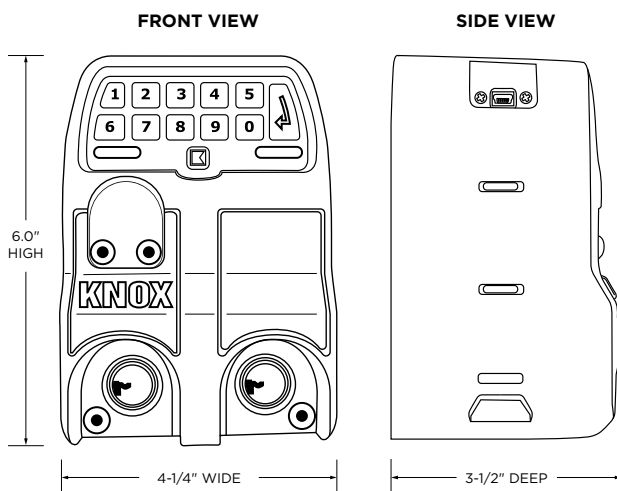
- ✓ Secures 1 or 2 mechanical keys
- ✓ KnoxConnect Management System: Connect to KnoxConnect via Cloud (WiFi or Ethernet) or Local (USB port)
- ✓ Stores up to 5,000 User PIN codes
- ✓ Records up to 16,000 audit trail events
- ✓ User configuration and access activity tracked by name, date and time
- ✓ Access key using 4-6 digit PIN code
- ✓ Tamper monitor, with or without 12v power
- ✓ Keypad illuminates for day or night visibility
- ✓ 2 alert LEDs
- ✓ Can hold a Knox FDC Wrench

BENEFITS

- ✓ Reduces liability of lost keys
- ✓ Leverages KnoxConnect to configure devices, manage users and retrieve audit trail information
- ✓ Provides ability to secure and support shared systems
- ✓ Manages accountability, recording key releases
- ✓ Network-enabled, can connect to PC via a WiFi or Ethernet network to collect device history and program user access

OPTIONS

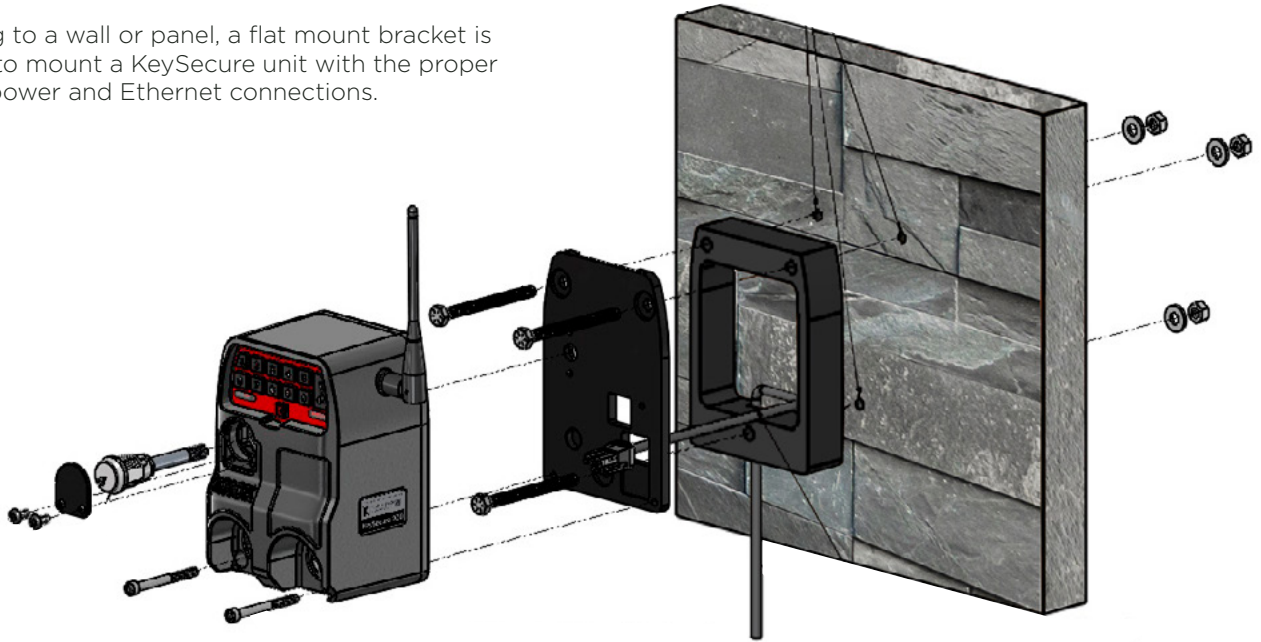
- ✓ Cloud or Local-based KnoxConnect Management System
- ✓ 60°, 90°, or flat-mount bracket



Knox recommends using and installing a Knox manufactured bracket. Three types of mounting brackets specifically made for the KeySecure 5 are available: a 60° angle, a 90° angle, and a flat mount bracket. These solid steel brackets can be used for installing the KeySecure units in a vehicle or office.

FLAT MOUNT BRACKET

When mounting to a wall or panel, a flat mount bracket is recommended to mount a KeySecure unit with the proper clearances for power and Ethernet connections.



60 AND 90 DEGREE MOUNTING BRACKETS

The 60° & 90° brackets have the same vehicle mounting bolt pattern as the KeySecure 3b and 4. Both can be used to mount the KeySecure in a vehicle or office. Brackets can accommodate multiple orientations of KeySecure 5.

ABOUT THE KNOX COMPANY

Since 1975, the Knox Company has successfully developed innovative rapid access solutions for first responders with products that provide fast, safe, and secure entry into commercial, industrial, and residential properties, while minimizing damage and maximizing safety. Today, more than 15,000 fire, EMS, and law enforcement departments/agencies depend on Knox products to gain access into over one million buildings/properties.



KNOX COMPANY

1601 W. DEER VALLEY RD
PHOENIX, AZ 85027

T. 800.552.5669

KNOXBOX.COM

INFO@KNOXBOX.COM